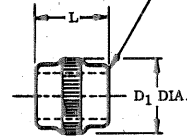
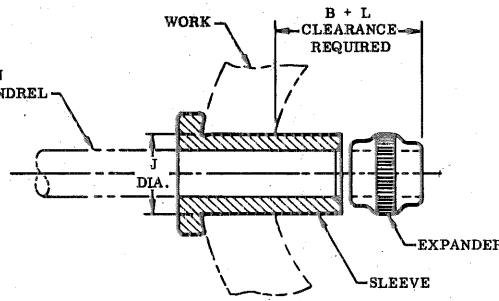


SLEEVE

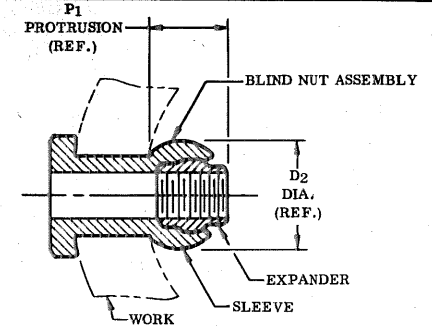
ELLIPTICAL SELF-LOCKING ACTION



EXPANDER



SLEEVE AND EXPANDER ASSEMBLED ON MANDREL, INSERTED INTO WORK, READY TO SET



COMPLETED BLIND NUT ASSEMBLY

BN126 BLIND NUT ASSEMBLY		BN129 SLEEVE							BB341 EXPANDER				HOLE PREPARATION		PROTRUSION AFTER INSTALLATION	
FIRST DASH NUMBER		FIRST DASH NUMBER	A DIA.	B GRIP RANGE 0-3/4	3 GRIP RANGE 3/4-1 1/4	3 GRIP RANGE 1 1/4-1 3/4	D DIA.	H	PART NUMBER	D1 DIA.	L	THREAD	J HOLE DIA.		D2 DIA.	P1
-440		-440	.294 .274	.210			.169 .167	.055 .045	BB341-5	.167	.153	4-40UNJC-3B	.173 .170		.210	.175
-632		-632	.315 .295	.280			.218 .216	.065 .055	BB341-632	.217	.215	6-32UNJC-3B	.222 .219		.285	.260
-832		-832	.412 .387	.315	.330		.257 .255	.090 .080	BB341-8	.255	.245	8-32UNJC-3B	.264 .258		.335	.290
-1020		-1032	.505	.380	.420	.460	.312	.110	BB341-1020 BB341-1032	.309	.307	10-20UNJC-3B	.319		.410	.350
-1032	.475		10-32UNJF-3B				.313									
-420		-428	.615	.450	.450	.450	.390	.155	BB341-420 BB341-12	.383	.368	1/4-20UNJC-3B	.397		.510	.420
-428	.580		1/4-28UNJF-3B				.391									
-518		-524	.803	.500	.500	.500	.468	.160	BB341-518 BB341-14	.458	.429	5/16-18UNJC-3B	.475		.600	.470
-524	.768		5/16-24UNJF-3B				.469									
-616		-624	.896	.550	.550	.550	.530	.185	BB341-616 BB341-16	.521	.491	3/8-16UNJC-3B	.539		.662	.530
-624	.861		3/8-24UNJF-3B				.531									

BN129 SLEEVE

NOTE: Concentricity: Hole to "D" diameter within .005 FIR.
Head to "D" diameter within .010 FIR.

MATERIAL: Type 305 stainless steel per QQ-S-763.

FINISH: Sandblast.

CODE: First dash number indicates size of bolt to be used.
Second dash number indicates grip length (thickness of work) in 16ths.

EXAMPLE: BN129-428-12 = Sleeve for 1/4-28 bolt, 3/4 grip length.

BB341 EXPANDER

NOTE: Threads per MIL-S-8879.

MATERIAL: Type 431 stainless steel per Spec. QQ-S-763.

HEAT TREAT: 125,000 psi shear minimum.

FINISH: BB341 - Cadmium plate per QQ-P-416, Type I, Class 3.

CODE: Dash number indicates Expander used in assembly.

EXAMPLE: BB341-12 - Expander for 1/4-28 bolt, cadmium plate, Type I.

BN126 BLIND NUT ASSEMBLY

CODE: First dash number indicates size of bolt to be used.
Second dash number indicates grip length (thickness of work) in 16ths.

EXAMPLE: BN126-428-12
└── 3/4 Grip Length
└── For 1/4-28 Bolt
└── Blind Nut Assembly which includes:
 BN129 Sleeve and BB341 Expander

U.S. PATENT 2,959,999. FOREIGN PATENTS
ISSUED AND PENDING.

TITLE					
BLIND NUT™ ASSEMBLY					
LIFE LINE STANCION					
DRAWN	DATE	APPROVED	DATE	REVISION	DATE
<i>Shroeder</i>	10-7-71	<i>J.M.</i>	10-7-71		
DRAWING NUMBER					BN126