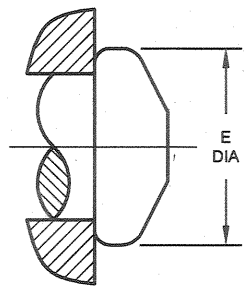
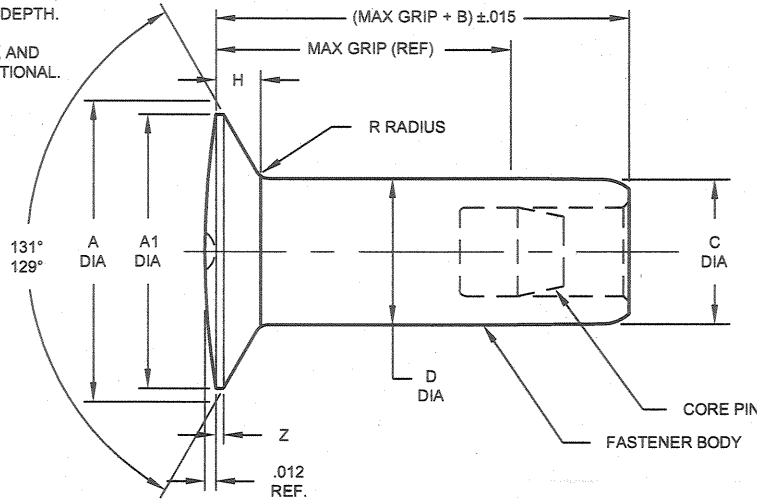
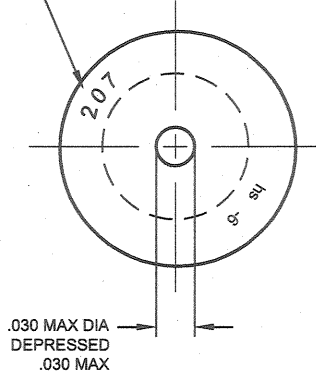


INDENTED HEAD MARKING .010 MAX DEPTH. IDENTIFY WITH PART NUMBER "207", MANUFACTURER'S TRADEMARK "hs", AND FIRST DASH NUMBER. LOCATION OPTIONAL.



UPSET DIAMETER AFTER INSTALLATION

TABLE 1

NOM DIA.	NOM DIA.	A DIA. THEOR.	A1 DIA.	B REF.	C REF.	D DIA.	E DIA.	H REF.	R RAD REF.	Z REF.	DOUBLE SHEAR POUNDS MIN.	TENSION POUNDS MIN.
5	5/32	.3393 .3308	.329 .305	.143	.151	.1635 .1620	.237 .204	.040	.030	.007	4,010	1,650
6	3/16	.3911 .3825	.381 .332	.156	.177	.1895 .1880	.275 .236	.046	.038	.010	5,380	2,000

- NOTES: 1. Concentricity: "A" diameter to "D" diameter within .005 FIM.  
2. Surface texture:  $125/\sqrt{\text{in}}$  maximum per ANSI B46.1.  
3. See Table 2 for grip length availability.  
4. Dimensions to be met before finish.  
5. "H" is dimensioned from maximum "D" diameter.

MATERIAL: A-286 Cres per AMS5731.

SHEAR STRENGTH: 95,000 psi shear minimum.

FINISH: HSR207-( )-( ) = Passivate per AMS2700 and cetyl alcohol lube per Hi-Shear Spec. 305.

PROCUREMENT: Hi-Set Fastener Specification 332-2.

CODE: First dash number indicates nominal diameter in 1/32nds.  
Second dash number indicates grip length. See Table 2 for grip range.

HOW TO ORDER

EXAMPLES:

- HSR207-6-7  
 7/16 Maximum Grip Length [3]  
 6/32 or 3/16 Nominal Diameter  
 Fastener Part Number
- HSR207-5-7  
 7/16 Maximum Grip Length [3]  
 5/32 Nominal Diameter  
 Fastener Part Number
- HSR207-5-6.5  
 6.5/16 or 13/32 Maximum Grip Length [3]  
 5/32 Nominal Diameter  
 Fastener Part Number

TABLE 2  
GRIP RANGE AND AVAILABILITY

SECOND DASH NUMBER	GRIP RANGE -5 DIA.	SECOND DASH NUMBER	GRIP RANGE -6 DIA.
2	.125 .094	3	.188 .125
2.5	.156 .125	4	.250 .188
3	.188 .156	5	.312 .250
3.5	.219 .188	6	.375 .312
4	.250 .219	7	.438 .375
4.5	.281 .250	8	.500 .438
5	.312 .281	9	.562 .500
5.5	.344 .312	10	.625 .562
6	.375 .344	11	.688 .625
6.5	.406 .375	12	
7	.438 .406	13	
7.5	.469 .438	14	
8	.500 .469	15	
8.5	.531 .500	16	
9	.562 .531	17	
LONGER GRIP LENGTHS		18	
		19	
		20	
		21	

Shaded portions of table are available, subject to special pricing and delivery.

U.S. Patent Numbers  
3,995,406; 4,126,076; 4,223,433.  
"Hi-Set" is a registered trademark of Hi-Shear Corporation

DRAWN			DATE			BY			TITLE			DRAWING NUMBER		
DRAWN			4-14-94			DEPT 104			HI-SET® FASTENER			HSR207		
APPROVED			4-19-94			E.E.B.			130° FLUSH CROWN SHEAR HEAD					
3 REVISION			10-15-07			JFO			A-286 CRES					
									95 KSI SHEAR					
												Sheet 1 of 1		