

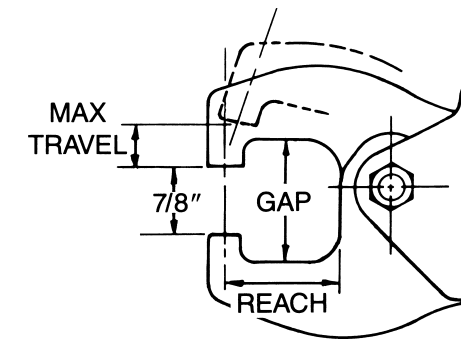
AEROSPACE

ULTRALITE⁰ COMPRESSION RIVETER

Alligator Model 725A HF

Standard Features

- Safety throttle lever
- Anodized aluminum housing
- 90° elbow swivel air inlet
- Rivet capacity up to 1/4" aluminum and 3/16" steel
 - Smooth controlled throttle movement
 - Low cost replacement parts
 - Tool steel roller bearings and shafts
- Additional configuration of jaws available
 - Operate on 90 PSI air
- Set holders in 3/16" and 1/4" diameter available



Power Unit

MODEL NO.	POWER UNIT ONLY ORDERING NO.	JAW REACH	CAPACITY COLD RIVET		MAX FORCE AT 90 PSI pounds	PART OF STROKE AT MAX FORCE		NET WEIGHT WITH JAWS		OVERALL LENGTH		AIR INLET	
			ALUMINUM in.	STEEL mm		in.	mm	lbs.	kg.	in.	mm		
725A	(5355)	1-1/2	3/16	4.8	5/32	4.0	1/16	1.6	5-1/2	2.5	12	305	1/4 NPT
	obsolete	2-1/4	5/32	4.0	1/8	3.2	3/32	2.4	6	2.7	13	330	1/4 NPT
		3	1/8	3.2	3/32	2.4	1/8	3.2	6-1/4	2.8	13-3/4	350	1/4 NPT
725A HF	8523	1-1/2	1/4	6.4	3/16	4.8	1/32	0.8	5-1/2	2.5	12	305	1/4 NPT
		2-1/4	3/16	4.8	5/32	4.0	3/64	1.2	6	2.7	13	330	1/4 NPT
		3	5/32	4.0	1/8	3.2	1/16	1.6	6-1/4	2.8	13-3/4	350	1/4 NPT

MINIMUM AIR PRESSURE: 90 PSI

MINIMUM HOSE SIZE: 1/4" DIA.

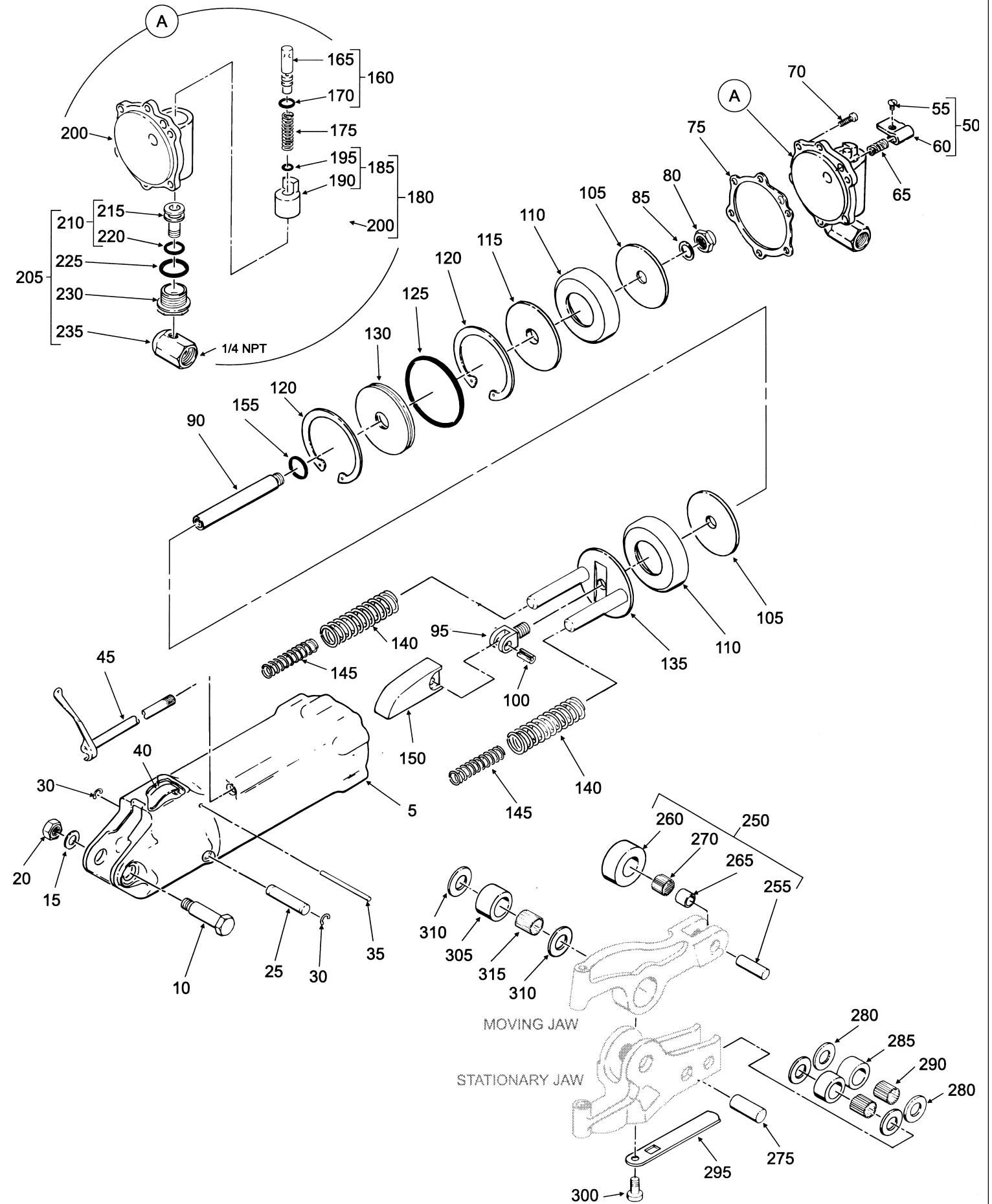
Alligator Jaws See adjacent page ►

Hi-Shear Corporation . 2600 Skypark Drive . Torrance, CA 90509 USA . tel 310.326.8110 . Tool Div. fax 310.784.4270
Hi-Shear Fasteners Europe Ltd. . Butlers Leap, Rugby . Warwickshire CV21 3RQ England . tel 0788.560916



Alligator Jaws (dimensions in inches)

JAW ASSY.	STATIONARY JAW	MOVING JAW	SET HOLE SIZE	REACH	GAP	MAX. TRAVEL
7360	457	3488	3/16	1-1/2	1-5/8	5/8
7361	1974	1975	1/4	1-1/2	1-5/8	5/8
7362	1213	3490	3/16	2-1/4	1-3/4	7/8
7363	6482	6483	1/4	2-1/4	1-3/4	7/8
7364	1215	3491	3/16	3	2-1/8	1-1/4
7365	5975	5976	1/4	3	2-1/8	1-1/4



COMPRESSION RIVETER POWER UNIT - ALLIGATOR JAW MODEL 725A/725A HF

Item	Part No.	Description	5355		8523		Item	Part No.	Description	5355		8523	
			Qty.	Qty.	Qty.	Qty.				Qty.	Qty.		
005	841	Cylinder	1	1	155	922	O-ring	1	1	1	1		
010	482	Bolt, bearing, roller	1	1	160	6835	Valve assy., throttle	1	1	1	1		
015	177	Washer, flat	1	1	165	6298	. Valve, throttle	1	1	1	1		
020	184	Nut, jam, hex	1	1	170	566	. O-ring	1	1	1	1		
025	471	Shaft, bearing, roller	1	1	175	3577	Spring, compression	2	2	2	2		
030	3363	Retaining ring	2	2	180	6341	Cylinder head assy.	1	1	1	1		
035	413	Dowel pin	1	1	185	6350	. Bushing assy., throttle valve	1	1	1	1		
040	455	Spring, return, jaw	1	1	190	6309	. Bushing, valve, throttle	1	1	1	1		
045	795	Lever assy., valve, throttle	1	1	195	5183	. O-ring	1	1	1	1		
050	944	Lever arm, complete	1	1	200	1607	. Cylinder head assy.	1	1	1	1		
055	628	. Screw, slotted fillister	1	1	205	2436	Swivel assy., air inlet	1	1	1	1		
060	901	. Arm lever, throttle	1	1	210	490	. Swivel assy.	1	1	1	1		
065	200	Spring, return	1	1	215	1585	. Swivel	1	1	1	1		
070	410	Screw, hex hd cap	6	6	220	491	. O-ring	1	1	1	1		
075	483	Gasket, cylinder head	1	1	225	6313	. O-ring	1	1	1	1		
080	463	Nut, stop, elastic	1	1	230	489	. Nut, swivel	1	1	1	1		
085	2748	Washer	1	1	235	552	. Elbow, 90 degree	1	1	1	1		
090	1325	Shaft, piston	1	1	250	16684	Bearing assy.	1	1	1	1		
095	2130	Fork, shaft, piston	1	1	255	3502	. Shaft	1	1	1	1		
100	2133	Roll pin	1	1	260	16558	. Bearing, roller	1	1	1	1		
105	461	Plate, leather, cup	2	2	265	16559	. Bearing, roller	1	1	1	1		
110	460	Cup, leather	2	2	270	626	. Bearing, needle	29	29	29	29		
115	930	Piston, rear	1	1	275	470	. Shaft	1	1	1	1		
120	927	Retaining ring	2	2	280	472	Washer	4	4	4	4		
125	923	O-ring	1	1	285	469	Bearing, roller	2	2	2	2		
130	929	Spacer	1	1	290	626	Bearing, needle	40	40	40	40		
135	438	Piston assy.	1	1	295	473	Guard	1	1	1	1		
140	468	Spring, compression	2	2	300	188	Screw	1	1	1	1		
145	467	Spring, compression	2	2	305	480	Bearing, roller	1	1	1	1		
150	2132	Wedge	1		310	481	Washer	2	2	2	2		
150	17402	Wedge		1	315	626	Bearing, needle	35	35	35	35		