

AEROSPACE

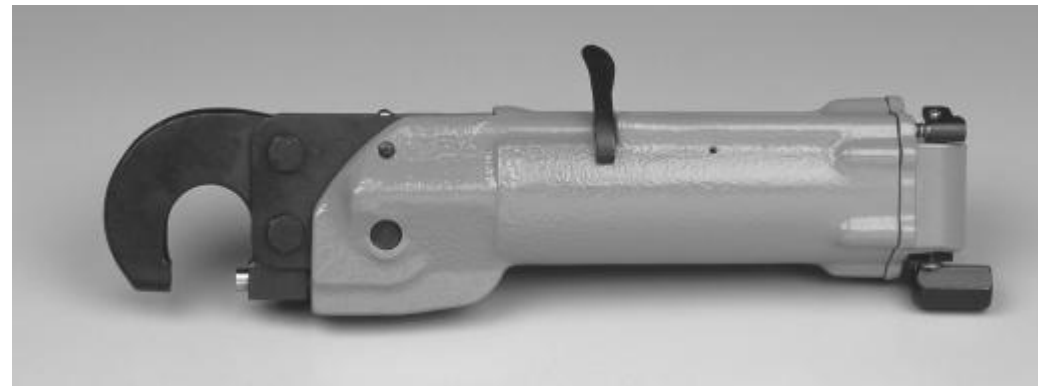
ULTRALITE[®]

COMPRESSION RIVETER

C-Yoke Model 720 HF

Standard Features

- Safety approved throttle lever
- Anodized aluminum housing
 - 90° elbow swivel air inlet
- Tool steel roller bearing and shaft
- Rivet capacity up to 1/4" aluminum and 3/16" steel
 - Additional configuration C-yokes available
 - Operate on 90 PSI air
 - Smooth controlled throttle movement
 - Set holders available in 3/16" and 1/4" set holes
 - Adjustable type set holders are optional
 - Low cost replacement parts



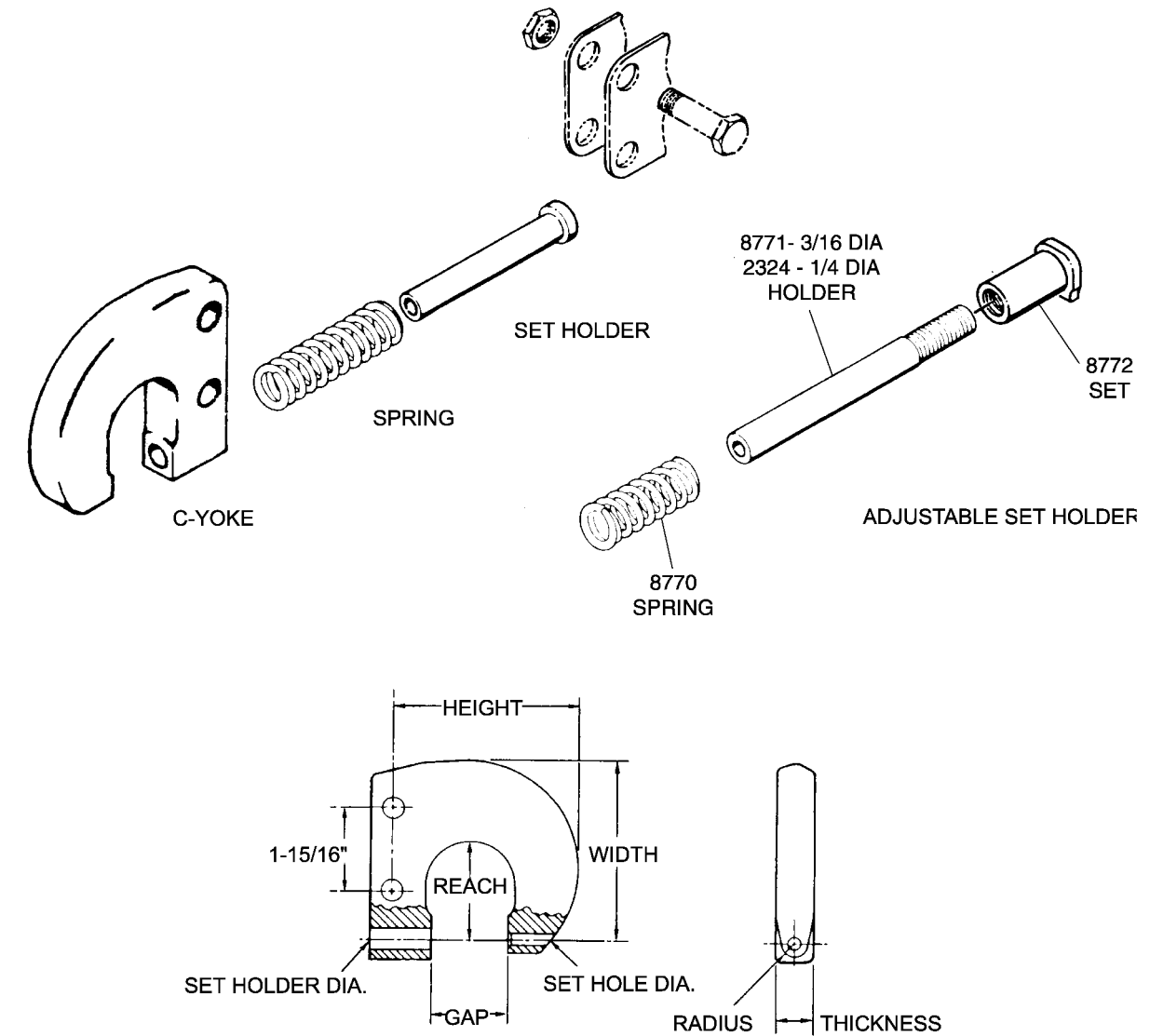
Power Unit

| MODEL NO. | ORDERING NO. | CAPACITY | | COLD RIVET | | CLOSED HEIGHT | | MAXIMUM TRAVEL | | SET HOLDER PLUNGER POUNDS | | PART OF STROKE AT MAX FORCE | | NET WEIGHT WITH C-YOKE | | OVERALL LENGTH | | AIR INLET |
|-----------|--------------------|----------|-------|------------|-----|---------------|------|----------------|------|---------------------------|------|-----------------------------|-------|------------------------|----|----------------|---------|-----------|
| | | ALUMINUM | STEEL | in. | mm | in. | mm | in. | mm | in. | mm | in. | mm | in. | mm | lbs. | kg. | |
| 720 | (5385) obsolete | 3/16 | 4.8 | 5/32 | 4.0 | 11/16 | 17.5 | 9/16 | 14.3 | 6000 | 1/16 | 1.6 | 5-1/2 | 2.5 | 14 | 362 | 1/4 NPT | |
| 720 HF | 8522 | 1/4 | 6.4 | 3/16 | 4.8 | 11/16 | 17.5 | 9/16 | 14.3 | 9000 | 1/32 | 0.8 | 5-1/2 | 2.5 | 14 | 362 | 1/4 NPT | |

MINIMUM AIR PRESSURE: 90 PSI
MINIMUM HOSE SIZE: 1/4" DIA.

C-Yokes See adjacent page

Hi-Shear Corporation . 2600 Skypark Drive . Torrance, CA 90509 USA . tel 310.326.8110 . Tool Div. fax 310.784.4270
Hi-Shear Fasteners Europe Ltd. . Butlers Leap, Rugby . Warwickshire CV21 3RQ England . tel 0788.560916



C-Yokes (dimensions in inches)

| YOKE ASSY. NO. | REACH | GAP | WIDTH | HEIGHT | THICKNESS | RADIUS | SET HOLE SIZE | SET HOLDER | SPRING | ADJ. SET HOLDER |
|----------------|-------|-------|--------|---------|-----------|---------|---------------|------------|--------|-----------------|
| 538 | 1-1/2 | 1-1/4 | 3 | 3-3/8 | 9/16 | 3/16 | 3/16 | 539 | 540 | 8773 |
| 958 | 2 | 1-1/4 | 3-9/16 | 3-11/16 | 9/16 | 7/32 | 3/16 | 539 | 540 | 8773 |
| 959 | 2-1/2 | 1-3/8 | 4-5/8 | 3-7/8 | 9/16 | 7/32 | 3/16 | 1351 | 540 | 8773 |
| 960 | 3 | 1-1/2 | 5-1/4 | 4-3/8 | 1 | 4-3/8 | 3/16 | 1352 | 540 | 8773 |
| 961 | 3-1/2 | 1-1/2 | 6-1/16 | 4-3/4 | 1 | 4-3/8 | 3/16 | 1352 | 540 | 8773 |
| 6336 | 1-1/2 | 1-1/4 | 3 | 3-3/8 | 9/16 | 3/16 | 1/4 | 825 | 540 | 2325 |
| 9562 | 2 | 1-1/4 | 3-9/16 | 3-11/16 | 9/16 | 3-11/16 | 1/4 | 825 | 540 | 2325 |
| 9561 | 2-1/2 | 1-3/8 | 4-5/8 | 3-7/8 | 9/16 | 3-7/8 | 1/4 | 2408 | 540 | 2325 |
| 9563 | 3 | 1-1/2 | 5-1/4 | 4-3/8 | 1 | 4-3/8 | 1/4 | 2409 | 540 | 2325 |
| 9564 | 3-1/2 | 1-1/2 | 6-1/16 | 4-3/4 | 1 | 4-3/4 | 1/4 | 2409 | 540 | 2325 |

COMPRESSION RIVETER POWER UNIT - C-YOKE MODEL 720/720 HF

| Item | Part No. | Description | 5385 | | 8522 | | Item | Part No. | Description | 5385 | | 8522 | |
|------|----------|------------------------------|------|------|------|------|---------------------------------|----------|-------------|------|------|------|--|
| | | | Qty. | Qty. | Qty. | Qty. | | | | Qty. | Qty. | | |
| 005 | 925 | Cylinder | 1 | 1 | 160 | 467 | Spring, compression | 2 | 2 | | | | |
| 010 | 795 | Lever assy., valve, throttle | 1 | 1 | 165 | 6835 | Valve assy., throttle | 1 | 1 | | | | |
| 015 | 944 | Lever, Arm | 1 | 1 | 170 | 6298 | . Valve, throttle | 1 | 1 | | | | |
| 020 | 901 | . Lever, arm, throttle | 1 | 1 | 175 | 566 | . O-ring | 1 | 1 | | | | |
| 025 | 628 | . Screw, fillister, slotted | 1 | 1 | 180 | 3577 | Spring, compression | 1 | 1 | | | | |
| 030 | 200 | Spring | 1 | 1 | 185 | 2436 | Swivel, air inlet | 1 | 1 | | | | |
| 035 | 495 | Guard, roller bearing | 1 | 1 | 190 | 490 | . Swivel assy., air inlet | 1 | 1 | | | | |
| 040 | 456 | Screw, round hd machine | 1 | 1 | 195 | 1585 | .. Swivel, air inlet | 1 | 1 | | | | |
| 045 | 496 | Spacer | 1 | 1 | 200 | 491 | .. O-ring | 1 | 1 | | | | |
| 050 | 536 | Shaft, roller, bearing | 1 | 1 | 205 | 6313 | . O-ring | 1 | 1 | | | | |
| 055 | 537 | Washer | 1 | 1 | 210 | 489 | . Nut, swivel, air inlet | 1 | 1 | | | | |
| 060 | 369 | Screw, hex soc hd cap | 1 | 1 | 215 | 552 | . Elbow, 90 degree | 1 | 1 | | | | |
| 065 | 497 | Pin, spacer | 1 | 1 | 225 | 6341 | Cylinder head assy. | 1 | 1 | | | | |
| 070 | 2130 | Fork, shaft, piston | 1 | 1 | 230 | 6350 | . Bushing assy., throttle valve | 1 | 1 | | | | |
| 075 | 3122 | Nut, stop, elastic | 1 | 1 | 235 | 5183 | .. O-ring | 1 | 1 | | | | |
| 080 | 2748 | Washer | 1 | 1 | 240 | 6309 | .. Bushing, valve | 1 | 1 | | | | |
| 085 | 2131 | Wedge | 1 | | 245 | 1607 | . Cylinder head | 1 | 1 | | | | |
| 085 | 8419 | Wedge | | 1 | 260 | 494 | Plate, yoke frame | 2 | 2 | | | | |
| 090 | 2133 | Pin, roll | 1 | 1 | 265 | 541 | Bolt, hex | 2 | 2 | | | | |
| 095 | 438 | Piston assy. | 1 | 1 | 270 | 415 | Nut, hex, jam | 2 | 2 | | | | |
| 100 | 460 | Cup, leather | 2 | 2 | 275 | 553 | Lever assy. | 1 | 1 | | | | |
| 105 | 461 | Plate, leather, cup | 2 | 2 | 280 | 532 | . Lever, holder | 1 | 1 | | | | |
| 110 | 927 | Retaining ring | 2 | 2 | 285 | 535 | . Shaft, roller, bearing | 1 | 1 | | | | |
| 115 | 931 | Shaft, piston | 1 | 1 | 290 | 533 | . Bearing, outer, roller | 1 | 1 | | | | |
| 120 | 922 | O-ring | 1 | 1 | 295 | 534 | . Bearing, inner, roller | 1 | 1 | | | | |
| 125 | 929 | Spacer | 1 | 1 | 300 | 627 | . Needle, roller, bearing | 32 | 32 | | | | |
| 130 | 923 | O-ring | 1 | 1 | 305 | 498 | . Wedge, guide stamping | 2 | 2 | | | | |
| 140 | 930 | Piston, rear | 1 | 1 | 310 | 470 | Shaft, roller bearing | 2 | 2 | | | | |
| 145 | 483 | Gasket, head, cylinder | 1 | 1 | 315 | 472 | Washer, thrust | 4 | 4 | | | | |
| 150 | 410 | Screw, hex hd steel cap | 6 | 6 | 320 | 469 | Bearing, roller, outer | 2 | 2 | | | | |
| 155 | 468 | Spring, compression | 2 | 2 | 325 | 626 | Bearing, roller, needle | 40 | 40 | | | | |

